

## Floor scrubber-driers



### A0 30



#### Standard equipment:



• 6.505.0002  
PP brush Ø 100 mm



• 6.505.0001  
Squeegee kit



• 5.509.0007  
Stationary plate



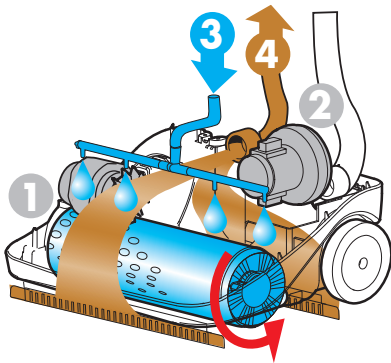
• 0.010.0034  
4 x 100 ml concentrated  
detergent

- Suitable to work in high congested areas like small shops, offices, kitchens, schools, hospitals, bars, gyms, restaurants
- Three controls for brush drive, washing and drying operations
- Double floor squeegee for both forward and reverse drying
- Sound pressure 68 dB (A)
- Min. working height required 200 mm
- Structure built with durable materials
- Suitable load on the brush for an optimal cleaning efficiency
- Detachable detergent/recovery tank
- Cable holder
- 7mt electric cable
- Non-marking wheels.

#### A0 30

Code	8.501.0525
Power	800 W
Column depress.	1428 mm H2O
Brush length	290 mm
Clean capacity	1015 m <sup>2</sup> /h
Voltage	230V ~ 50Hz

## Floor scrubber-driers



- 1) Brush motor
- 2) Vacuum motor
- 3) Detergent solution flow
- 4) Dirty liquid flow

### Optional:

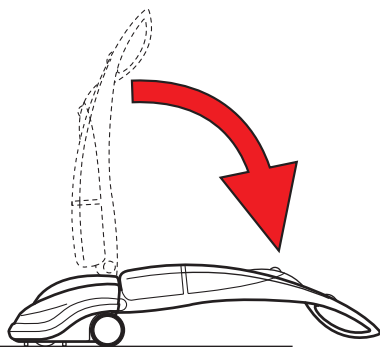


- 6.505.0009  
Carpet cleaning kit



- 4.512.0068  
Extension electric cord 15 m  
with Schuko plug

Double squeegee for both forward and reverse washing and drying.  
PP brush suitable for most common floors (brush for carpet and moquette cleaning available).  
ABS shock-proof covers. Non-marking rubber wheels.



Minimum working height 200 mm, allowing perfect cleaning under furnitures, chairs, tables, beds, etc.  
The tilting handle makes easy and stressless the daily use of the machine.  
Large tank capacity avoiding frequent refilling of the unit

Cylindrical brush quick connection and release: the fitting and releasing of the brush does not require the use of tools. Ordinary cleaning and maintenance are simple and quick for anybody

